

KEOPS V31IMS



3x16A /1x3P + 1x5P Swiss /10 kW max.

Housing: 2 segment AMAXX[®] - Mennekes

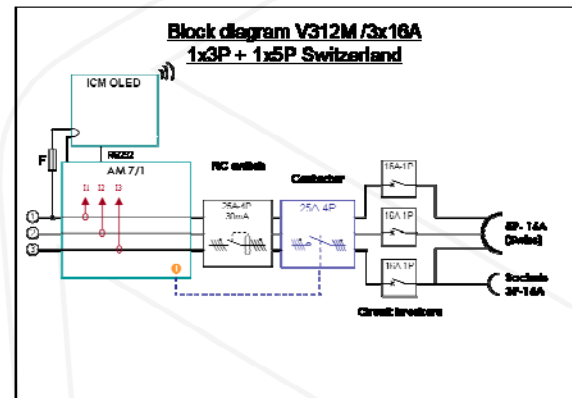
Upstream power supply: three-phase on contactor via terminal block

Downstream three-phase/single-phase: 1 16A

socket, 5P, Swiss standard 230V/400V,

Downstream single-phase: 1x16 A socket, 2P+E 230V, Swiss standard,

This distribution box cannot be delivered with another 5P socket



Technical Features

Protection devices:

- Residual current protection and main switch via residual current switch: 25A/30mA, 400V, 4P
- Protection of single phase socket by 3x16A circuit breakers 230V, 1P, C curve

Contactor:

1 contactor, 4x230V/ 25A, 4P

Dimensions: (wxhxd) 250x260x170 (excluding handle)

Weight: 4.8kg

Protection index: IP44 with protective glass option on ICM/OLED (IP20 without protective glass)

Standards: complying with standards IEC/EN 60439-1 IEC 60364-1 IEC/EN 60950-1 and CEM 89/336/CEE.