

## KEOPS V311M



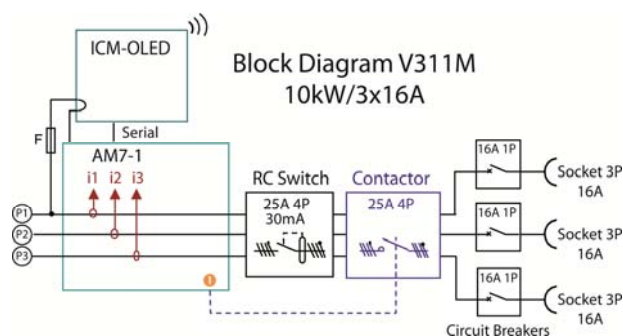
### 3x16A /10kW max.

Housing: 2 segment AMAXX<sup>®</sup> - Mennekes

Upstream power supply: three-phase on contactor via terminal block

Downstream single-phase power distribution: 3 sockets 16 A, 2P+E, 230V

The distribution box is available with 2P+E sockets complying with various standards: German, British, Italian, Spanish, etc.



## Technical Features

### Protection devices:

- Residual current and main switch via residual current switch 25A/30mA, 400V, 4P
- Protection of single phase sockets by 3 x 16A circuit breakers, 230V, 1P or 1P+N\*, curve C

### Contactor:

1 contactor, 3x230V/ 25A, 3P or 4P\*

**Dimensions:** (WxHxD) 250x260x170 (excluding handle)

**Weight:** 4.8kg

**Protection index:** IP44 with protective glass option on control unit ICM/OLED (IP20 without protective glass)

**Standards:** complying with standards IEC/EN 60439-1 IEC 60364-1 IEC/EN 60950-1 and CEM 89/336/CEE.

\* Depending on earth system and regulations in force in the country concerned