

KEOPS V341M



63A /40kW max.

Housing: 4 segment AMAXX© - Mennekes Upstream power

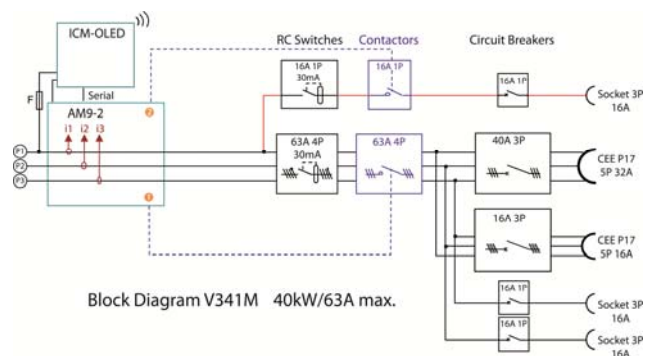
supply: three-phase on contactor via terminal block

Downstream three-phase power distribution:

- 1 CEE/P17 32A, 5P + 1 CEE/P17 16A , 5P

Downstream single phase power distribution: 3 x 16A, 2P+E
230V, SCHUKO©, one of them is separate for a "fridge
socket" running.

The distribution box is available with 2P+E sockets
complying with various standards.



Technical Features

Protection devices:

- Residual current protection and main switch (excluding fridge socket) via residual current switch: 63A/30mA, 400V, 4P
- Residual current protection and fridge socket switch via residual current switch: 16A/30mA, 230V, 1 P + N
- Protection of 32A P17 socket by 32A circuit breaker: 400V, 3P or 4P*, C or D curve
- Protection of 16A P17 socket by 16A circuit breaker: 400V, 3P or 4P*, C or D curve
- Protection of single phase sockets by 16A circuit breakers: 230V, 1P or 2P*, C curve

Contactors:

- 63A/400V, 40kW AC1, 3P or 4P* contactor for 32A and 16A P17 sockets + 16A x 2 single phase sockets - 16A/230V 1P + N contactor for 16A fridge socket

Dimensions: (wxhxd) 260x520x200 (excluding handle)

Weight: 9.5 kg

Protection index: IP44 with protective glass option on ICM/OLED (IP20 without protective glass)

Standards: complying with standards IEC/EN 60439-1, IEC 60364-1, IEC/EN 60950-1 and 89/336/EEC EMC.

* Depending on earth system and regulations in force in the country concerned